

Series C / B 5200

www.schaeferpower.de



DC / DC Converters

4 kW			5 kW				Cooling	Output VDC	
Input VDC								Adj.	Range
80-160 VDC	Output Amps	160-320 VDC	320-380 <sup>1)</sup> VDC	320-640 VDC	450-800 VDC	Output Amps			
C 5250	350	C 5270	C 5280 Z	C 5270 G	C 5270 K	350	5	4.5- 5.5	
C 5251	350	C 5271	C 5281 Z	C 5271 G	C 5271 K	350	9	8- 10	
C 5252	305	C 5272	C 5282 Z	C 5272 G	C 5272 K	350	12	11- 13	
C 5253	250	C 5273	C 5283 Z	C 5273 G	C 5273 K	310	15	14- 16	
C 5254	154	C 5274	C 5284 Z	C 5274 G	C 5274 K	192	24	23- 26	
C 5255	133	C 5275	C 5285 Z	C 5275 G	C 5275 K	167	28	26- 30	
C 5259	73	C 5279	C 5289 Z	C 5279 G	C 5279 K	91	48	45- 55	
C 5256	59	C 5276	C 5286 Z	C 5276 G	C 5276 K	74	60	58- 68	
C 5257	31	C 5277	C 5287 Z	C 5277 G	C 5277 K	39	110	100- 130	
C 5257 J	20	C 5277 J	C 5287 ZJ	C 5277 GJ	C 5277 KJ	25	200	190-200	
C 5258	16	C 5278	C 5288 Z	C 5278 G	C 5278 K	20	220	200-250	
C 5258 J	10	C 5278 J	C 5288 ZJ	C 5278 GJ	C 5278 KJ	12.5	400	380-400	
C 5257H	6.66	C 5277 H	C 5287ZH	C 5277GH	C 5277KH	8.5	tba <sup>2)</sup>	570-600	
C 5258H	5	C 5278 H	C 5288ZH	C 5278GH	C 5278KH	6.5	tba <sup>2)</sup>	760-800	

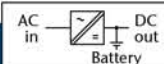
**new**  
Higher voltage upon request



AC / DC Power Supplies

5 kW			Output Amps	Cooling	Output VDC	
Input VAC, 3-Phase					Adj.	Range
3x200 <sup>+15%</sup> <sub>-20%</sub>	3x400 <sup>+15%</sup> <sub>-20%</sub>	3x480 <sup>+10%</sup> <sub>-15%</sub>				
C 5260 V	C 5280 V	C 5290 V	350	5	4.5- 5.5	
C 5261 V	C 5281 V	C 5291 V	350	9	8- 10	
C 5262 V	C 5282 V	C 5292 V	350	12	11- 13	
C 5263 V	C 5283 V	C 5293 V	310	15	14- 16	
C 5264 V	C 5284 V	C 5294 V	192	24	23- 26	
C 5265 V	C 5285 V	C 5295 V	167	28	26- 30	
C 5269 V	C 5289 V	C 5299 V	91	48	45- 55	
C 5266 V	C 5286 V	C 5296 V	74	60	58- 68	
C 5267 V	C 5287 V	C 5297 V	39	110	100- 130	
C 5267 VJ	C 5287 VJ	C 5297 VJ	25	200	190-200	
C 5268 V	C 5288 V	C 5298 V	20	220	200-250	
C 5268 VJ	C 5288 VJ	C 5298 VJ	12.5	400	380-400	
C 5267VH	C 5287VH	C 5297VH	8.5	tba <sup>2)</sup>	570-600	
C 5268VH	C 5288VH	C 5298VH	6.5	tba <sup>2)</sup>	760-800	

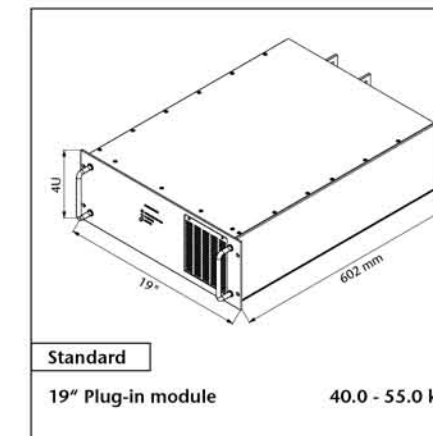
**new**  
Higher voltage upon request



Battery Chargers

5 kW			Output Amps	Cooling	Output VDC	
Input VAC, 3-Phase					Nom. Battery Voltage	Range
3x200 <sup>+15%</sup> <sub>-20%</sub>	3x400 <sup>+15%</sup> <sub>-20%</sub>	3x480 <sup>+10%</sup> <sub>-15%</sub>				
B 5261 V	B 5281 V	B 5291 V	310	12	12- 16	
B 5262 V	B 5282 V	B 5292 V	160	24	24- 32	
B 5264 V	B 5284 V	B 5294 V	80	48	48- 64	
B 5266 V	B 5286 V	B 5296 V	62	60	60- 80	
B 5267 V	B 5287 V	B 5297 V	34	110	110- 145	
B 5268 V	B 5288 V	B 5298 V	17	220	220-290	
B 5266VH	B 5286VH	B 5296VH	12.5	tba <sup>2)</sup>	380-400	
B 5267VH	B 5287VH	B 5297VH	8.5	tba <sup>2)</sup>	570-600	
B 5268VH	B 5288VH	B 5298VH	6.5	tba <sup>2)</sup>	760-800	

**new**  
Higher voltage upon request



Standard  
19" Plug-in module 40.0 - 55.0 kg

4U



Series specific information

**Input**

- Hold-up time for AC input: 5ms typical @ nom. input voltage

<sup>1)</sup> input supply from PFC also suitable

**General**

- optional: Cooling via speed-controlled fans (depending on temperature)

• = incl. temperature controlled fans

<sup>2)</sup> tba = to be advised





DC / DC Converters

▶ 6 KW						Cooling	Output VDC	
Input VDC							Adj.	Range
80-160 VDC	160-320 VDC	320-380 <sup>1)</sup> VDC	320-640 VDC	450-800 VDC	Output Amps			
▲ C 5650	▲ C 5670	▲ C 5680 Z	▲ C 5670 G	▲ C 5670 K	400	●	5	4.5- 5.5
▲ C 5651	▲ C 5671	▲ C 5681 Z	▲ C 5671 G	▲ C 5671 K	400	●	9	8- 10
▲ C 5652	▲ C 5672	▲ C 5682 Z	▲ C 5672 G	▲ C 5672 K	400	●	12	11- 13
▲ C 5653	▲ C 5673	▲ C 5683 Z	▲ C 5673 G	▲ C 5673 K	375	●	15	14- 16
● C 5654	● C 5674	● C 5684 Z	● C 5674 G	● C 5674 K	230	●	24	23- 26
● C 5655	● C 5675	● C 5685 Z	● C 5675 G	● C 5675 K	200	●	28	26- 30
● C 5659	● C 5679	● C 5689 Z	● C 5679 G	● C 5679 K	110	●	48	45- 55
● C 5656	● C 5676	● C 5686 Z	● C 5676 G	● C 5676 K	88	●	60	58- 68
● C 5657	● C 5677	● C 5687 Z	● C 5677 G	● C 5677 K	46	●	110	100- 130
● C 5657 J	● C 5677 J	● C 5687 ZJ	● C 5677 GJ	● C 5677 KJ	30	●	200	190-200
● C 5658	● C 5678	● C 5688 Z	● C 5678 G	● C 5678 K	24	●	220	200-250
● C 5658 J	● C 5678 J	● C 5688 ZJ	● C 5678 GJ	● C 5678 KJ	15	●	400	380-400
● C 5657 H	● C 5677 H	● C 5687 ZH	● C 5677 GH	● C 5677 KH	10	●	tba <sup>2)</sup>	570-600
● C 5658 H	● C 5678 H	● C 5688 ZH	● C 5678 GH	● C 5678 KH	7.5	●	tba <sup>2)</sup>	760-800

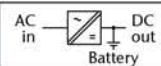
**new**  
Higher voltage upon request



AC / DC Power Supplies

▶ 4.5 KW			▶ 6 KW				Cooling	Output VDC	
Input VAC, 1-Phase			Input VAC, 3-Phase					Adj.	Range
115 ±20%	Output Amps	230 <sup>+15%</sup> <sub>-20%</sub>	3x200 <sup>+15%</sup> <sub>-20%</sub>	3x400 <sup>+15%</sup> <sub>-20%</sub>	3x480 <sup>+10%</sup> <sub>-15%</sub>	Output Amps			
■ C 5660	400	■ C 5680	■ C 5660 V	■ C 5680 V	■ C 5690 V	400	●	5	4.5- 5.5
■ C 5661	380	■ C 5681	■ C 5661 V	■ C 5681 V	■ C 5691 V	400	●	9	8- 10
■ C 5662	310	■ C 5682	■ C 5662 V	■ C 5682 V	■ C 5692 V	400	●	12	11- 13
■ C 5663	265	■ C 5683	■ C 5663 V	■ C 5683 V	■ C 5693 V	375	●	15	14- 16
▼ C 5664	170	▼ C 5684	▼ C 5664 V	▼ C 5684 V	▼ C 5694 V	230	●	24	23- 26
▼ C 5665	150	▼ C 5685	▼ C 5665 V	▼ C 5685 V	▼ C 5695 V	200	●	28	26- 30
▼ C 5669	80	▼ C 5689	▼ C 5669 V	▼ C 5689 V	▼ C 5699 V	110	●	48	45- 55
▼ C 5666	65	▼ C 5686	▼ C 5666 V	▼ C 5686 V	▼ C 5696 V	88	●	60	58- 68
▼ C 5667	35	▼ C 5687	▼ C 5667 V	▼ C 5687 V	▼ C 5697 V	46	●	110	100- 130
▼ C 5667 J	22	▼ C 5687 J	▼ C 5667 VJ	▼ C 5687 VJ	▼ C 5697 VJ	30	●	200	190-200
▼ C 5668	18	▼ C 5688	▼ C 5668 V	▼ C 5688 V	▼ C 5698 V	24	●	220	200-250
▼ C 5668 J	11	▼ C 5688 J	▼ C 5668 VJ	▼ C 5688 VJ	▼ C 5698 VJ	15	●	400	380-400
▼ C 5667H	7.5	▼ C 5687H	▼ C5667VH	▼ C5687VH	▼ C5697VH	10	●	tba <sup>2)</sup>	570-600
▼ C 5668H	5.625	▼ C 5688H	▼ C5668VH	▼ C5688VH	▼ C5698VH	7.5	●	tba <sup>2)</sup>	760-800

**new**  
Higher voltage upon request



Battery Chargers

▶ 4.5 KW			▶ 6 KW				Cooling	Output VDC	
Input VAC, 1-Phase			Input VAC, 3-Phase					Nom. Battery Voltage	Range
115 ±20%	Output Amps	230 <sup>+15%</sup> <sub>-20%</sub>	3x200 <sup>+15%</sup> <sub>-20%</sub>	3x400 <sup>+15%</sup> <sub>-20%</sub>	3x480 <sup>+10%</sup> <sub>-15%</sub>	Output Amps			
■ B 5661	265	■ B 5681	■ B 5661 V	■ B 5681 V	■ B 5691 V	375	●	12	12- 16
▼ B 5662	140	▼ B 5682	▼ B 5662 V	▼ B 5682 V	▼ B 5692 V	190	●	24	24- 32
▼ B 5664	70	▼ B 5684	▼ B 5664 V	▼ B 5684 V	▼ B 5694 V	95	●	48	48- 64
▼ B 5666	55	▼ B 5686	▼ B 5666 V	▼ B 5686 V	▼ B 5696 V	75	●	60	60- 80
▼ B 5667	31	▼ B 5687	▼ B 5667 V	▼ B 5687 V	▼ B 5697 V	41	●	110	110- 145
▼ B 5668	16	▼ B 5688	▼ B 5668 V	▼ B 5688 V	▼ B 5698 V	21	●	220	220- 290
▼ B 5666H	11.25	▼ B 5686H	▼ B5666VH	▼ B5686VH	▼ B5696VH	15	●	tba <sup>2)</sup>	380-400
▼ B 5667H	7.5	▼ B 5687H	▼ B5667VH	▼ B5687VH	▼ B5697VH	10	●	tba <sup>2)</sup>	570-600
▼ B 5668H	5.625	▼ B 5688H	▼ B5668VH	▼ B5688VH	▼ B5698VH	7.5	●	tba <sup>2)</sup>	760-800

**new**  
Higher voltage upon request

Series specific information

Input

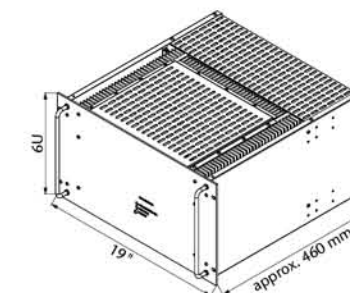
- Inrush current for 230V AC and 3-phase input: limited by thermistor
- Hold-up time for AC input: 5ms typical @ nom. input voltage
- <sup>1)</sup>input supply from PFC also suitable

General

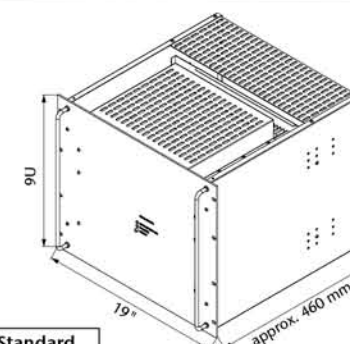
- = incl. temperature controlled fans
- <sup>2)</sup> tba = to be advised



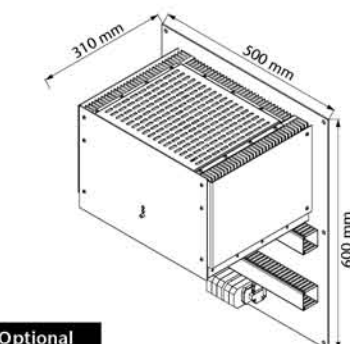
6U / 9U



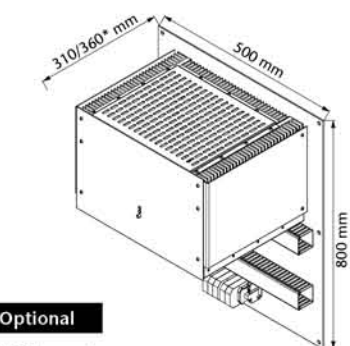
Standard  
19" Plug-in module  
● 35-50 kg ▼ 50-65 kg



Standard  
19" Plug-in module  
▲ 50-65 kg ■ 65-75 kg



Optional  
Wall mount  
● 35-50 kg



Optional  
Wall mount  
▼▲ 50-65 kg ■ 65-75 kg  
\*) applicable to output current > 350 A

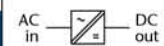




DC / DC Converters

▶ 5.6 kW		▶ 7.5 kW					Cooling	Output VDC	
Input VDC								Adj.	Range
80-160 VDC	Output Amps	160-320 VDC	320-380 <sup>1)</sup> VDC	320-640 VDC	450-800 VDC	Output Amps			
C 5353	350	C 5373	C 5383 Z	C 5373 G	C 5373 K	350	•	15	14- 16
C 5354	216	C 5374	C 5384 Z	C 5374 G	C 5374 K	288	•	24	23- 26
C 5355	187	C 5375	C 5385 Z	C 5375 G	C 5375 K	250	•	28	26- 30
C 5359	102	C 5379	C 5389 Z	C 5379 G	C 5379 K	136	•	48	45- 55
C 5356	83	C 5376	C 5386 Z	C 5376 G	C 5376 K	110	•	60	58- 68
C 5357	43	C 5377	C 5387 Z	C 5377 G	C 5377 K	58	•	110	100- 130
C 5357 J	28	C 5377 J	C 5387 ZJ	C 5377 GJ	C 5377 KJ	38	•	200	190- 200
C 5358	22.5	C 5378	C 5388 Z	C 5378 G	C 5378 K	30	•	220	200- 250
C 5358 J	14	C 5378 J	C 5388 ZJ	C 5378 GJ	C 5378 KJ	19	•	400	380- 400
C 5357H	9.5	C 5377H	C 5387ZH	C 5377GH	C 5377KH	12.5	•	tba <sup>2)</sup>	570- 600
C 5358H	7	C 5378H	C 5388ZH	C 5378GH	C 5378KH	9.5	•	tba <sup>2)</sup>	760- 800

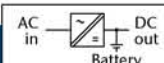
**new**  
Higher voltage upon request



AC / DC Power Supplies

▶ 7.5 kW							Cooling	Output VDC	
Input VAC, 3-Phase						Output Amps		Adj.	Range
3x200 <sup>+15% -20%</sup>	3x400 <sup>+15% -20%</sup>	3x480 <sup>+10% -15%</sup>							
C 5363 V	C 5383 V	C 5393 V	350	•	15	14- 16			
C 5364 V	C 5384 V	C 5394 V	288	•	24	23- 26			
C 5365 V	C 5385 V	C 5395 V	250	•	28	26- 30			
C 5369 V	C 5389 V	C 5399 V	136	•	48	45- 55			
C 5366 V	C 5386 V	C 5396 V	110	•	60	58- 68			
C 5367 V	C 5387 V	C 5397 V	58	•	110	100- 130			
C 5367 VJ	C 5387 VJ	C 5397 VJ	38	•	200	190- 200			
C 5368 V	C 5388 V	C 5398 V	30	•	220	200- 250			
C 5368 VJ	C 5388 VJ	C 5398 VJ	19	•	400	380- 400			
C 5367VH	C 5387VH	C 5397VH	12.5	•	tba <sup>2)</sup>	570- 600			
C 5368VH	C 5388VH	C 5398VH	9.5	•	tba <sup>2)</sup>	760- 800			

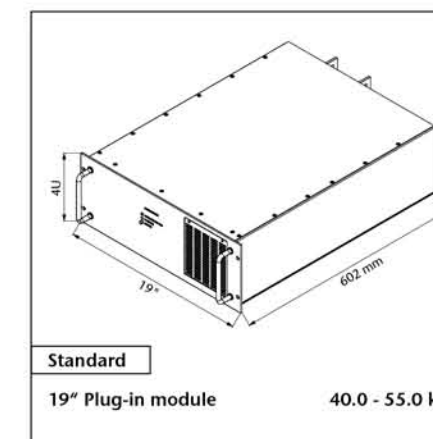
**new**  
Higher voltage upon request



Battery Chargers

▶ 7.5 kW							Cooling	Output VDC	
Input VAC, 3-Phase						Output Amps		Nom. Battery Voltage	Range
3x200 <sup>+15% -20%</sup>	3x400 <sup>+15% -20%</sup>	3x480 <sup>+10% -15%</sup>							
B 5361 V	B 5381 V	B 5391 V	350	•	12	12- 16			
B 5362 V	B 5382 V	B 5392 V	235	•	24	24- 32			
B 5364 V	B 5384 V	B 5394 V	115	•	48	48- 64			
B 5366 V	B 5386 V	B 5396 V	93	•	60	60- 80			
B 5367 V	B 5387 V	B 5397 V	52	•	110	110- 145			
B 5368 V	B 5388 V	B 5398 V	26	•	220	220- 290			
B 5366VH	B 5386VH	B 5396VH	19	•	tba <sup>2)</sup>	380- 400			
B 5367VH	B 5387VH	B 5397VH	12.5	•	tba <sup>2)</sup>	570- 600			
B 5368VH	B 5388VH	B 5398VH	9.5	•	tba <sup>2)</sup>	760- 800			

**new**  
Higher voltage upon request



4U



Series specific information

**Input**

- Hold-up time for AC input: 4ms typical @ nom. input voltage

<sup>1)</sup> input supply from PFC also suitable

**General**

- optional: Cooling via speed-controlled fans (depending on temperature)

• = incl. fans

<sup>2)</sup> tba = to be advised

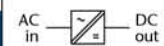




DC / DC Converters

▶ 8 KW									
Input VDC						Cooling	Output VDC		
80-160 VDC	160-320 VDC	320-380 <sup>1)</sup> VDC	320-640 VDC	450-800 VDC	Output Amps		Adj.	Range	
▲ C 5753	▲ C 5773	▲ C 5783 Z	▲ C 5773 G	▲ C 5773 K	400	●	15	14- 16	
▲ C 5754	▲ C 5774	▲ C 5784 Z	▲ C 5774 G	▲ C 5774 K	310	●	24	23- 26	
▲ C 5755	▲ C 5775	▲ C 5785 Z	▲ C 5775 G	▲ C 5775 K	270	●	28	26- 30	
▲ C 5759	● C 5779	● C 5789 Z	● C 5779 G	● C 5779 K	145	●	48	45- 55	
▲ C 5756	● C 5776	● C 5786 Z	● C 5776 G	● C 5776 K	120	●	60	58- 68	
▲ C 5757	● C 5777	● C 5787 Z	● C 5777 G	● C 5777 K	62	●	110	100- 130	
▲ C 5757 J	● C 5777 J	● C 5787 ZJ	● C 5777 GJ	● C 5777 KJ	40	●	200	190- 200	
▲ C 5758	● C 5778	● C 5788 Z	● C 5778 G	● C 5778 K	32	●	220	200- 250	
▲ C 5758 J	● C 5778 J	● C 5788 ZJ	● C 5778 GJ	● C 5778 KJ	20	●	400	380- 400	
▲ C 5757 H	● C 5777 H	● C 5787 H	● C 5777 GH	● C 5777 KH	13.5	●	tba <sup>2)</sup>	570- 600	
▲ C 5758 H	● C 5778 H	● C 5788 H	● C 5778 GH	● C 5778 KH	10	●	tba <sup>2)</sup>	760- 800	

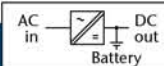
**new**  
Higher voltage upon request



AC / DC Power Supplies

▶ 6.5 KW				▶ 8 KW					
Input VAC, 1-Phase		Input VAC, 3-Phase				Output Amps	Cooling	Output VDC	
115 ±20%	Output Amps	230 <sup>+15%</sup> <sub>-20%</sub>	3x200 <sup>+15%</sup> <sub>-20%</sub>	3x400 <sup>+15%</sup> <sub>-20%</sub>	3x480 <sup>+10%</sup> <sub>-15%</sub>			Adj.	Range
■ C 5761	400	—	—	—	—	—	●	9	8- 10
■ C 5762	400	—	—	—	—	—	●	12	11- 13
■ C 5763	385	■ C 5783	■ C 5763 V	■ C 5783 V	■ C 5793 V	400	●	15	14- 16
■ C 5764	250	■ C 5784	■ C 5764 V	■ C 5784 V	■ C 5794 V	310	●	24	23- 26
■ C 5765	215	■ C 5785	■ C 5765 V	■ C 5785 V	■ C 5795 V	270	●	28	26- 30
■ C 5769	115	▼ C 5789	▼ C 5769 V	▼ C 5789 V	▼ C 5799 V	145	●	48	45- 55
■ C 5766	95	▼ C 5786	▼ C 5766 V	▼ C 5786 V	▼ C 5796 V	120	●	60	58- 68
■ C 5767	50	▼ C 5787	▼ C 5767 V	▼ C 5787 V	▼ C 5797 V	62	●	110	100- 130
■ C 5767 J	32	▼ C 5787 J	▼ C 5767 VJ	▼ C 5787 VJ	▼ C 5797 VJ	40	●	200	190- 200
■ C 5768	26	▼ C 5788	▼ C 5768 V	▼ C 5788 V	▼ C 5798 V	32	●	220	200- 250
■ C 5768 J	16	▼ C 5788 J	▼ C 5768 VJ	▼ C 5788 VJ	▼ C 5798 VJ	20	●	400	380- 400
■ C 5767 H	10.8	▼ C 5787 H	▼ C 5767 VH	▼ C 5787 VH	▼ C 5797 VH	13.5	●	tba <sup>2)</sup>	570- 600
■ C 5768 H	8	▼ C 5788 H	▼ C 5768 VH	▼ C 5788 VH	▼ C 5798 VH	10	●	tba <sup>2)</sup>	760- 800

**new**  
Higher voltage upon request



Battery Chargers

▶ 6.5 KW				▶ 8 KW					
Input VAC, 1-Phase		Input VAC, 3-Phase				Output Amps	Cooling	Output VDC	
115 ±20%	Output Amps	230 <sup>+15%</sup> <sub>-20%</sub>	3x200 <sup>+15%</sup> <sub>-20%</sub>	3x400 <sup>+15%</sup> <sub>-20%</sub>	3x480 <sup>+10%</sup> <sub>-15%</sub>			Nom. Battery Voltage	Range
■ B 5761	385	■ B 5781	■ B 5761 V	■ B 5781 V	■ B 5791 V	400	●	12	12- 16
■ B 5762	200	■ B 5782	■ B 5762 V	■ B 5782 V	■ B 5792 V	250	●	24	24- 32
■ B 5764	100	▼ B 5784	▼ B 5764 V	▼ B 5784 V	▼ B 5794 V	125	●	48	48- 64
■ B 5766	80	▼ B 5786	▼ B 5766 V	▼ B 5786 V	▼ B 5796 V	100	●	60	60- 80
■ B 5767	45	▼ B 5787	▼ B 5767 V	▼ B 5787 V	▼ B 5797 V	55	●	110	110- 145
■ B 5768	22	▼ B 5788	▼ B 5768 V	▼ B 5788 V	▼ B 5798 V	28	●	220	220- 290
■ B 5766H	16.25	▼ B 5786H	▼ B 5766 VH	▼ B 5786 VH	▼ B 5796 VH	20	●	tba <sup>2)</sup>	380- 400
■ B 5767H	10.83	▼ B 5787H	▼ B 5767 VH	▼ B 5787 VH	▼ B 5797 VH	13.5	●	tba <sup>2)</sup>	570- 600
■ B 5768H	8.125	▼ B 5788H	▼ B 5768 VH	▼ B 5788 VH	▼ B 5798 VH	10	●	tba <sup>2)</sup>	760- 800

**new**  
Higher voltage upon request

Series specific information

Input

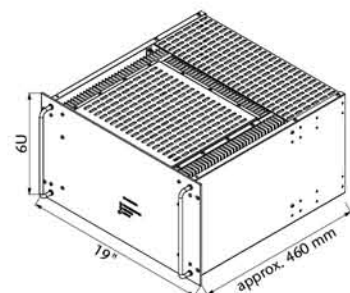
- Hold-up time for AC input: 4ms typical @ nom. input voltage
- <sup>1)</sup> input supply from PFC also suitable

General

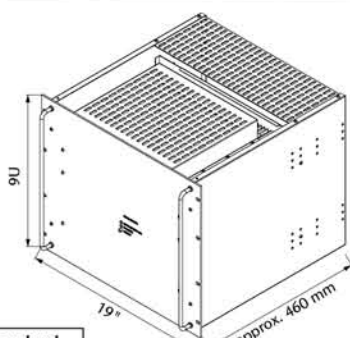
- = incl. temperature controlled fans
- <sup>2)</sup> tba = to be advised



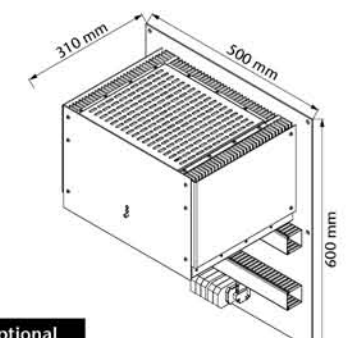
6U / 9U



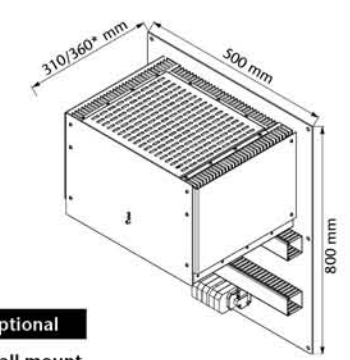
Standard  
19" Plug-in module  
● 35-50 kg ▼ 50-65 kg



Standard  
19" Plug-in module  
▲ 50-65 kg ■ 65-75 kg



Optional  
Wall mount  
● 35-50 kg



Optional  
Wall mount  
▼▲ 50-65 kg ■ 65-75 kg  
\*) applicable to output current > 350 A





DC / DC Converters

7.5 KW			10 KW				Cooling	Output VDC	
Input VDC								Adj.	Range
80-160 VDC	Output Amps	160-320 VDC	320-380 <sup>1)</sup> VDC	320-640 VDC	450-800 VDC	Output Amps			
C 5454	288	C 5474	C 5484 Z	C 5474 G	C 5474 K	350	•	24	23- 26
C 5455	250	C 5475	C 5485 Z	C 5475 G	C 5475 K	330	•	28	26- 30
C 5459	136	C 5479	C 5489 Z	C 5479 G	C 5479 K	182	•	48	45- 55
C 5456	110	C 5476	C 5486 Z	C 5476 G	C 5476 K	147	•	60	58- 68
C 5457	58	C 5477	C 5487 Z	C 5477 G	C 5477 K	77	•	110	100- 130
C 5457 J	38	C 5477 J	C 5487 ZJ	C 5477 GJ	C 5477 KJ	50	•	200	190- 200
C 5458	30	C 5478	C 5488 Z	C 5478 G	C 5478 K	40	•	220	200- 250
C 5458 J	19	C 5478 J	C 5488 ZJ	C 5478 GJ	C 5478 KJ	25	•	400	380- 400
C 5457H	12.5	C 5477H	C 5487ZH	C 5477GH	C 5477KH	17	•	tba <sup>2)</sup>	570- 600
C 5458H	9.375	C 5478H	C 5488ZH	C 5478GH	C 5478KH	12.5	•	tba <sup>2)</sup>	760- 800

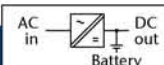
**new**  
Higher voltage upon request



AC / DC Power Supplies

10 KW						Cooling	Output VDC	
Input VAC, 3-Phase					Output Amps		Adj.	Range
3x200 <sup>+15%</sup> <sub>-20%</sub>	3x400 <sup>+15%</sup> <sub>-20%</sub>	3x480 <sup>+10%</sup> <sub>-15%</sub>						
C 5464 V	C 5484 V	C 5494 V	350	•	24	23- 26		
C 5465 V	C 5485 V	C 5495 V	330	•	28	26- 30		
C 5469 V	C 5489 V	C 5499 V	182	•	48	45- 55		
C 5466 V	C 5486 V	C 5496 V	147	•	60	58- 68		
C 5467 V	C 5487 V	C 5497 V	77	•	110	100- 130		
C 5467 VJ	C 5487 VJ	C 5497 VJ	50	•	200	190- 200		
C 5468 V	C 5488 V	C 5498 V	40	•	220	200- 250		
C 5468 VJ	C 5488 VJ	C 5498 VJ	25	•	400	380- 400		
C 5467VH	C 5487VH	C 5497VH	17	•	tba <sup>2)</sup>	570- 600		
C 5468VH	C 5488VH	C 5498VH	12.5	•	tba <sup>2)</sup>	760- 800		

**new**  
Higher voltage upon request



Battery Chargers

10 KW						Cooling	Output VDC	
Input VAC, 3-Phase					Output Amps		Nom. Battery Voltage	Range
3x200 <sup>+15%</sup> <sub>-20%</sub>	3x400 <sup>+15%</sup> <sub>-20%</sub>	3x480 <sup>+10%</sup> <sub>-15%</sub>						
B 5462 V	B 5482 V	B 5492 V	320	•	24	24- 32		
B 5464 V	B 5484 V	B 5494 V	160	•	48	48- 64		
B 5466 V	B 5486 V	B 5496 V	130	•	60	60- 80		
B 5467 V	B 5487 V	B 5497 V	70	•	110	110- 145		
B 5468 V	B 5488 V	B 5498 V	35	•	220	220- 290		
B 5466VH	B 5486VH	B 5496VH	25	•	tba <sup>2)</sup>	380- 400		
B 5467VH	B 5487VH	B 5497VH	17	•	tba <sup>2)</sup>	570- 600		
B 5468VH	B 5488VH	B 5498VH	12.5	•	tba <sup>2)</sup>	760- 800		

**new**  
Higher voltage upon request

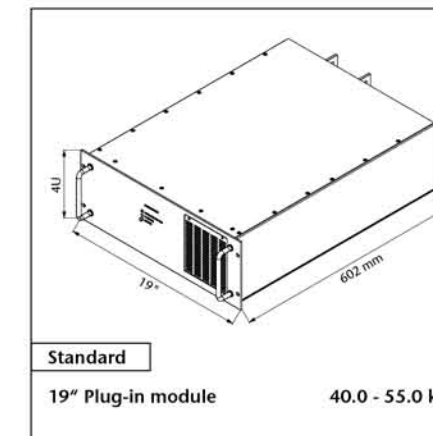
Series specific information

Input

- Hold-up time for AC input: 2.5ms typical @ nom. input voltage
- <sup>1)</sup> input supply from PFC also suitable

General

- optional: Cooling via speed-controlled fans (depending on temperature)
- = incl. fans
- <sup>2)</sup> tba = to be advised



4U



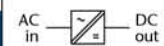




DC / DC Converters

▶ 12 KW						Cooling	Output VDC	
Input VDC							Adj.	Range
80-160 VDC	160-320 VDC	320-380 <sup>1)</sup> VDC	320-640 VDC	450-800 VDC	Output Amps			
▲ C 5854	▲ C 5874	▲ C 5884 Z	▲ C 5874 G	▲ C 5874 K	400	●	24	23- 26
▲ C 5855	▲ C 5875	▲ C 5885 Z	▲ C 5875 G	▲ C 5875 K	400	●	28	26- 30
▲ C 5859	▲ C 5879	● C 5889 Z	● C 5879 G	● C 5879 K	220	●	48	45- 55
▲ C 5856	▲ C 5876	● C 5886 Z	● C 5876 G	● C 5876 K	180	●	60	58- 68
▲ C 5857	▲ C 5877	● C 5887 Z	● C 5877 G	● C 5877 K	92	●	110	100- 130
▲ C 5857 J	▲ C 5877 J	● C 5887 ZJ	● C 5877 GJ	● C 5877 KJ	60	●	200	190- 200
▲ C 5858	▲ C 5878	● C 5888 Z	● C 5878 G	● C 5878 K	48	●	220	200- 250
▲ C 5858 J	▲ C 5878 J	● C 5888 ZJ	● C 5878 GJ	● C 5878 KJ	30	●	400	380- 400
▲ C 5857 H	▲ C 5877 H	● C 5887 ZH	● C 5877 GH	● C 5877 KH	20	●	tba <sup>2)</sup>	570- 600
▲ C 5858 H	▲ C 5878 H	● C 5888 ZH	● C 5878 GH	● C 5878 KH	15	●	tba <sup>2)</sup>	760- 800

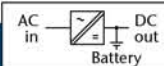
**new**  
Higher voltage upon request



AC / DC Power Supplies

▶ 8.5 KW			▶ 12 KW				Cooling	Output VDC	
Input VAC, 1-Phase			Input VAC, 3-Phase					Adj.	Range
115 ±20%	Output Amps	230 <sup>+15%</sup> <sub>-20%</sub>	3x200 <sup>+15%</sup> <sub>-20%</sub>	3x400 <sup>+15%</sup> <sub>-20%</sub>	3x480 <sup>+10%</sup> <sub>-15%</sub>	Output Amps			
■ C 5863	400	—	—	—	—	—	●	15	14- 16
■ C 5864	325	■ C 5884	■ C 5864 V	■ C 5884 V	■ C 5894 V	400	●	24	23- 26
■ C 5865	280	■ C 5885	■ C 5865 V	■ C 5885 V	■ C 5895 V	400	●	28	26- 30
■ C 5869	155	■ C 5889	■ C 5869 V	▼ C 5889 V	▼ C 5899 V	220	●	48	45- 55
■ C 5866	125	■ C 5886	■ C 5866 V	▼ C 5886 V	▼ C 5896 V	180	●	60	58- 68
■ C 5867	65	■ C 5887	■ C 5867 V	▼ C 5887 V	▼ C 5897 V	92	●	110	100- 130
■ C 5867 J	42	■ C 5887 J	■ C 5867 VJ	▼ C 5887 VJ	▼ C 5897 VJ	60	●	200	190- 200
■ C 5868	34	■ C 5888	■ C 5868 V	▼ C 5888 V	▼ C 5898 V	48	●	220	200- 250
■ C 5868 J	21	■ C 5888 J	■ C 5868 VJ	▼ C 5888 VJ	▼ C 5898 VJ	30	●	400	380- 400
■ C 5867H	14.16	■ C 5887H	■ C 5867VH	▼ C 5887VH	▼ C 5897VH	20	●	tba <sup>2)</sup>	570- 600
■ C 5868H	10.63	■ C 5888H	■ C 5868VH	▼ C 5888VH	▼ C 5898VH	15	●	tba <sup>2)</sup>	760- 800

**new**  
Higher voltage upon request



Battery Chargers

▶ 8.8 KW			▶ 12 KW				Cooling	Output VDC	
Input VAC, 1-Phase			Input VAC, 3-Phase					Nom. Battery Voltage	Range
115 ±20%	Output Amps	230 <sup>+15%</sup> <sub>-20%</sub>	3x200 <sup>+15%</sup> <sub>-20%</sub>	3x400 <sup>+15%</sup> <sub>-20%</sub>	3x480 <sup>+10%</sup> <sub>-15%</sub>	Output Amps			
■ B 5861	400	—	—	—	—	—	●	12	12- 16
■ B 5862	265	■ B 5882	■ B 5862 V	■ B 5882 V	■ B 5892 V	375	●	24	24- 32
■ B 5864	135	■ B 5884	■ B 5864 V	▼ B 5884 V	▼ B 5894 V	190	●	48	48- 64
■ B 5866	110	■ B 5886	■ B 5866 V	▼ B 5886 V	▼ B 5896 V	155	●	60	60- 80
■ B 5867	60	■ B 5887	■ B 5867 V	▼ B 5887 V	▼ B 5897 V	83	●	110	110- 145
■ B 5868	30	■ B 5888	■ B 5868 V	▼ B 5888 V	▼ B 5898 V	42	●	220	220- 290
■ B 5866H	22	■ B 5886H	■ B 5866VH	▼ B 5886VH	▼ B 5896VH	30	●	tba <sup>2)</sup>	380- 400
■ B 5867H	14.66	■ B 5887H	■ B 5867VH	▼ B 5887VH	▼ B 5897VH	20	●	tba <sup>2)</sup>	570- 600
■ B 5868H	11	■ B 5888H	■ B 5868VH	▼ B 5888VH	▼ B 5898VH	15	●	tba <sup>2)</sup>	760- 800

**new**  
Higher voltage upon request

Series specific information

Input

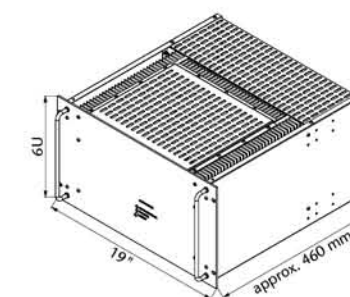
- Hold-up time for AC input: 2.5ms typical @ nom. input voltage
- <sup>1)</sup> input supply from PFC also suitable

General

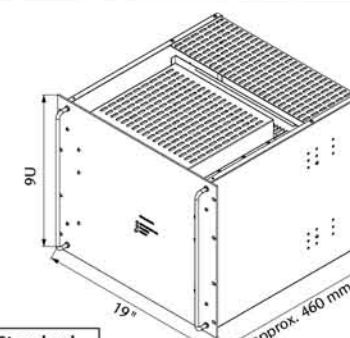
- = incl. temperature controlled fans
- <sup>2)</sup> tba = to be advised



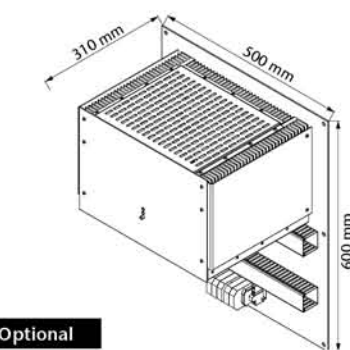
6U / 9U



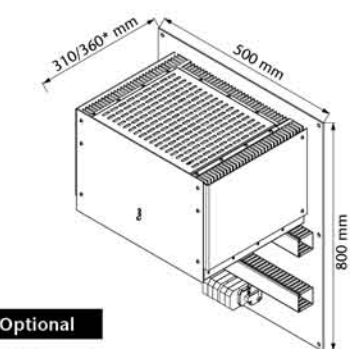
Standard  
19" Plug-in module  
● 35-50 kg ▼ 50-65 kg



Standard  
19" Plug-in module  
▲ 50-65 kg ■ 65-75 kg



Optional  
Wall mount  
● 35-50 kg



Optional  
Wall mount  
▼▲ 50-65 kg ■ 65-75 kg  
\*) applicable to output current > 350 A





DC / DC Converters

▶ 22 KW					
Input VDC			Cooling	Output VDC	
320–640 VDC	450–800 VDC	Output Amps		Adj.	Range
C 6479 G	C 6479 K	360	•	48	45– 55
C 6476 G	C 6476 K	320	•	60	58– 68
C 6477 G	C 6477 K	170	•	110	100– 130
C 6477 GJ	C 6477 KJ	110	•	200	190– 200
C 6478 G	C 6478 K	88	•	220	200– 250
C 6478 GJ	C 6478 KJ	55	•	400	380– 400
C 6477 GH	C 6477 KH	37	•	tba <sup>1)</sup>	570– 600
C 6478 GH	C 6478 KH	28	•	tba <sup>1)</sup>	760– 800

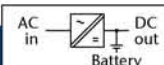
Higher voltage upon request



AC / DC Power Supplies

▶ 22 KW					
Input VAC, 3-Phase		Output Amps	Cooling	Output VDC	
3x400 <sup>+15%</sup> <sub>-20%</sub>	3x480 <sup>+10%</sup> <sub>-15%</sub>			Adj.	Range
C 6489 V	C 6499 V	360	•	48	45– 55
C 6486 V	C 6496 V	320	•	60	58– 68
C 6487 V	C 6497 V	170	•	110	100– 130
C 6487 VJ	C 6497 VJ	110	•	200	190– 200
C 6488 V	C 6498 V	88	•	220	200– 250
C 6488 VJ	C 6498 VJ	55	•	400	380– 400
C 6487 VH	C 6497 VH	37	•	tba <sup>1)</sup>	570– 600
C 6488 VH	C 6498 VH	28	•	tba <sup>1)</sup>	760– 800

Higher voltage upon request



Battery Chargers

▶ 22 KW					
Input VAC, 3-Phase		Output Amps	Cooling	Output VDC	
3x400 <sup>+15%</sup> <sub>-20%</sub>	3x480 <sup>+10%</sup> <sub>-15%</sub>			Nom. Battery Voltage	Range
B 6484 V	B 6494 V	310	•	48	48– 64
B 6486 V	B 6496 V	270	•	60	60– 80
B 6487 V	B 6497 V	150	•	110	110– 145
B 6488 V	B 6498 V	75	•	220	220– 290
B 6486VH	B 6496VH	55	•	tba <sup>1)</sup>	380– 400
B 6487VH	B 6497VH	37	•	tba <sup>1)</sup>	570– 600
B 6488VH	B 6498VH	28	•	tba <sup>1)</sup>	760– 800

Higher voltage upon request



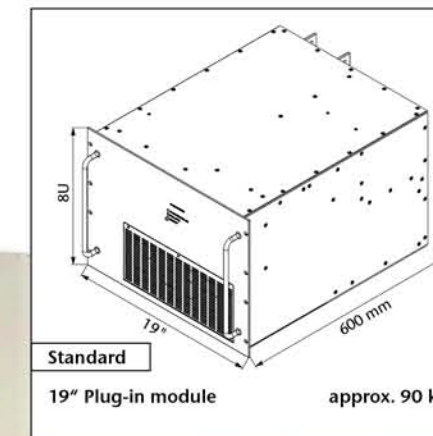
Series specific information

Input

- Hold-up time for AC input: 2.5ms typical @ nom. input voltage

General

- optional: Cooling via speed-controlled fans (depending on temperature)
- = incl. fans
- <sup>1)</sup> tba = to be advised



8U



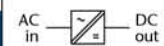




DC / DC Converters

▶ 30 KW					
Input VDC			Cooling	Output VDC	
320–640 VDC	450–800 VDC	Output Amps		Adj.	Range
C 6674 G	C 6674 K	800	•	24	23– 26
C 6675 G	C 6675 K	800	•	28	26– 30
C 6679 G	C 6679 K	540	•	48	45– 55
C 6676 G	C 6676 K	440	•	60	58– 68
C 6677 G	C 6677 K	230	•	110	100– 130
C 6677 GJ	C 6677 KJ	150	•	200	190– 200
C 6678 G	C 6678 K	120	•	220	200– 250
C 6678 GJ	C 6678 KJ	75	•	400	380– 400
C 6677 GH	C 6677 KH	50	•	tba <sup>1)</sup>	570– 600
C 6678 GH	C 6678 KH	38	•	tba <sup>1)</sup>	760– 800

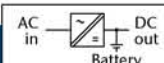
Higher voltage upon request



AC / DC Power Supplies

▶ 30 KW					
Input VAC, 3-Phase		Output Amps	Cooling	Output VDC	
3x400 <sup>+15%</sup> <sub>-20%</sub>	3x480 <sup>+10%</sup> <sub>-15%</sub>			Adj.	Range
C 6684 V	C 6694 V	800	•	24	23– 26
C 6685 V	C 6695 V	800	•	28	26– 30
C 6689 V	C 6699 V	540	•	48	45– 55
C 6686 V	C 6696 V	440	•	60	58– 68
C 6687 V	C 6697 V	230	•	110	100– 130
C 6687 VJ	C 6697 VJ	150	•	200	190– 200
C 6688 V	C 6698 V	120	•	220	200– 250
C 6688 VJ	C 6698 VJ	75	•	400	380– 400
C 6687 VH	C 6697 VH	50	•	tba <sup>1)</sup>	570– 600
C 6688 VH	C 6698 VH	38	•	tba <sup>1)</sup>	760– 800

Higher voltage upon request



Battery Chargers

▶ 30 KW					
Input VAC, 3-Phase		Output Amps	Cooling	Output VDC	
3x400 <sup>+15%</sup> <sub>-20%</sub>	3x480 <sup>+10%</sup> <sub>-15%</sub>			Nom. Battery Voltage	Range
B 6682 V	B 6692 V	800	•	24	24– 32
B 6684 V	B 6694 V	468	•	48	48– 64
B 6686 V	B 6696 V	375	•	60	60– 80
B 6687 V	B 6697 V	208	•	110	110– 145
B 6688 V	B 6698 V	104	•	220	220– 290
B 6686VH	B 6696VH	75	•	tba <sup>1)</sup>	380– 400
B 6687VH	B 6697VH	50	•	tba <sup>1)</sup>	570– 600
B 6688VH	B 6698VH	38	•	tba <sup>1)</sup>	760– 800

Higher voltage upon request



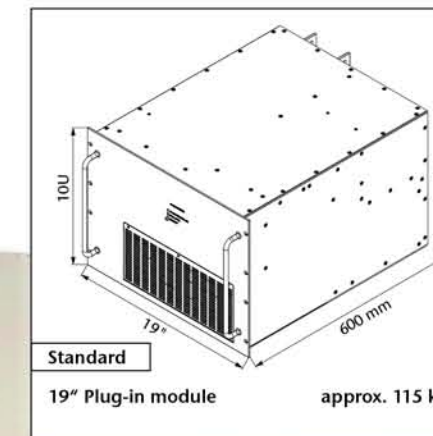
Series specific information

Input

- Hold-up time for AC input: 2.5ms typical @ nom. input voltage

General

- optional: Cooling via speed-controlled fans (depending on temperature)
- = incl. fans
- <sup>1)</sup> tba = to be advised



IOU





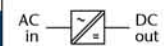


DC / DC Converters

5.6 kW			8 kW				Cooling	Output VDC	
Input VDC								Adj.	Range
80-160 VDC	Output Amps	160-320 VDC	320-380 <sup>1)</sup> VDC	320-640 VDC	450-800 VDC	Output Amps			
CW 5353	350	CW 5373	CW 5383 Z	CW 5373 G	CW 5373 K	350	15	14- 16	
CW 5354	216	CW 5374	CW 5384 Z	CW 5374 G	CW 5374 K	310	24	23- 26	
CW 5355	187	CW 5375	CW 5385 Z	CW 5375 G	CW 5375 K	270	28	26- 30	
CW 5359	102	CW 5379	CW 5389 Z	CW 5379 G	CW 5379 K	146	48	45- 55	
CW 5356	83	CW 5376	CW 5386 Z	CW 5376 G	CW 5376 K	118	60	58- 68	
CW 5357	43	CW 5377	CW 5387 Z	CW 5377 G	CW 5377 K	62	110	100- 130	
CW 5357 J	28	CW 5377 J	CW 5387 ZJ	CW 5377 GJ	CW 5377 KJ	40	200	190- 200	
CW 5358	22.5	CW 5378	CW 5388 Z	CW 5378 G	CW 5378 K	32	220	200- 250	
CW 5358 J	14	CW 5378 J	CW 5388 ZJ	CW 5378 GJ	CW 5378 KJ	20	400	380- 400	
CW 5357H	9.33	CW 5377H	CW 5387ZH	CW 5377GH	CW 5377KH	13.5	tba <sup>2)</sup>	570- 600	
CW 5358H	7	CW 5378H	CW 5388ZH	CW 5378GH	CW 5378KH	10	tba <sup>2)</sup>	760- 800	

**new**

Higher voltage upon request



AC / DC Power Supplies

8 kW			Output Amps	Cooling	Output VDC	
Input VAC, 3-Phase					Adj.	Range
3x200 <sup>+15%</sup> <sub>-20%</sub>	3x400 <sup>+15%</sup> <sub>-20%</sub>	3x480 <sup>+10%</sup> <sub>-15%</sub>				
CW 5363 V	CW 5383 V	CW 5393 V	350	15	14- 16	
CW 5364 V	CW 5384 V	CW 5394 V	310	24	23- 26	
CW 5365 V	CW 5385 V	CW 5395 V	270	28	26- 30	
CW 5369 V	CW 5389 V	CW 5399 V	146	48	45- 55	
CW 5366 V	CW 5386 V	CW 5396 V	118	60	58- 68	
CW 5367 V	CW 5387 V	CW 5397 V	62	110	100- 130	
CW 5367 VJ	CW 5387 VJ	CW 5397 VJ	40	200	190- 200	
CW 5368 V	CW 5388 V	CW 5398 V	32	220	200- 250	
CW 5368 VJ	CW 5388 VJ	CW 5398 VJ	20	400	380- 400	
CW 5367VH	CW 5387VH	CW 5397VH	13.5	tba <sup>2)</sup>	570- 600	
CW 5368VH	CW 5388VH	CW 5398VH	10	tba <sup>2)</sup>	760- 800	

**new**

Higher voltage upon request



Battery Chargers

8 kW			Output Amps	Cooling	Output VDC	
Input VAC, 3-Phase					Nom. Battery Voltage	Range
3x200 <sup>+15%</sup> <sub>-20%</sub>	3x400 <sup>+15%</sup> <sub>-20%</sub>	3x480 <sup>+10%</sup> <sub>-15%</sub>				
BW 5361 V	BW 5381 V	BW 5391 V	350	12	12- 16	
BW 5362 V	BW 5382 V	BW 5392 V	250	24	24- 32	
BW 5364 V	BW 5384 V	BW 5394 V	125	48	48- 64	
BW 5366 V	BW 5386 V	BW 5396 V	100	60	60- 80	
BW 5367 V	BW 5387 V	BW 5397 V	56	110	110- 145	
BW 5368 V	BW 5388 V	BW 5398 V	28	220	220- 290	
BW5366VH	BW5386VH	BW5396VH	20	tba <sup>2)</sup>	380- 400	
BW5367VH	BW5387VH	BW5397VH	13.5	tba <sup>2)</sup>	570- 600	
BW5368VH	BW5388VH	BW5398VH	10	tba <sup>2)</sup>	760- 800	

**new**

Higher voltage upon request

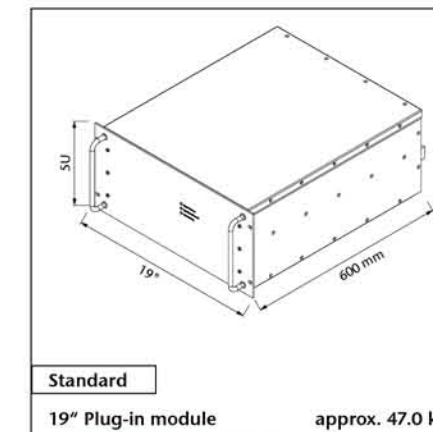
Series specific information

Input

- Hold-up time for AC input: 5ms typical @ nom. input voltage
- <sup>1)</sup> input supply from PFC also suitable

General

- = liquid cooled
- <sup>2)</sup> tba = to be advised



Standard  
19" Plug-in module approx. 47.0 kg



rear view

5U





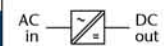


DC / DC Converters

▶ 10 kW						
Input VDC				Cooling	Output VDC	
320–380 <sup>1)</sup> VDC	320–640 VDC	450–800 VDC	Output Amps		Adj.	Range
CW 5483 Z	CW 5473 G	CW 5473 K	350	🟢	15	14– 16
CW 5484 Z	CW 5474 G	CW 5474 K	350	🟢	24	23– 26
CW 5485 Z	CW 5475 G	CW 5475 K	330	🟢	28	26– 30
CW 5489 Z	CW 5479 G	CW 5479 K	180	🟢	48	45– 55
CW 5486 Z	CW 5476 G	CW 5476 K	147	🟢	60	58– 68
CW 5487 Z	CW 5477 G	CW 5477 K	76	🟢	110	100– 130
CW 5487 ZJ	CW 5477 GJ	CW 5477 KJ	50	🟢	200	190– 200
CW 5488 Z	CW 5478 G	CW 5478 K	40	🟢	220	200– 250
CW 5488 ZJ	CW 5478 GJ	CW 5478 KJ	25	🟢	400	380– 400
CW 5487ZH	CW5477GH	CW 5477KH	17	🟢	tba <sup>2)</sup>	570– 600
CW 5488ZH	CW5478GH	CW 5478KH	12.5	🟢	tba <sup>2)</sup>	760– 800

**new**

Higher voltage upon request

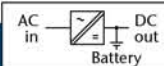


AC / DC Power Supplies

▶ 10 kW						
Input VAC, 3-Phase		Output Amps	Cooling	Output VDC		
3x400 <sup>+15%</sup> –20%	3x480 <sup>+10%</sup> –15%			Adj.	Range	
CW 5483 V	CW 5493 V	350	🟢	15	14– 16	
CW 5484 V	CW 5494 V	350	🟢	24	23– 26	
CW 5485 V	CW 5495 V	330	🟢	28	26– 30	
CW 5489 V	CW 5499 V	180	🟢	48	45– 55	
CW 5486 V	CW 5496 V	147	🟢	60	58– 68	
CW 5487 V	CW 5497 V	76	🟢	110	100– 130	
CW 5487 VJ	CW 5497 VJ	50	🟢	200	190– 200	
CW 5488 V	CW 5498 V	40	🟢	220	200– 250	
CW 5488 VJ	CW 5498 VJ	25	🟢	400	380– 400	
CW 5487VH	CW 5497VH	17	🟢	tba <sup>2)</sup>	570– 600	
CW 5488VH	CW 5498VH	12.5	🟢	tba <sup>2)</sup>	760– 800	

**new**

Higher voltage upon request



Battery Chargers

▶ 10 kW						
Input VAC, 3-Phase		Output Amps	Cooling	Output VDC		
3x400 <sup>+15%</sup> –20%	3x480 <sup>+10%</sup> –15%			Nom. Battery Voltage	Range	
BW 5481 V	BW 5491 V	350	🟢	12	12– 16	
BW 5482 V	BW 5492 V	312	🟢	24	24– 32	
BW 5484 V	BW 5494 V	156	🟢	48	48– 64	
BW 5486 V	BW 5496 V	125	🟢	60	60– 80	
BW 5487 V	BW 5497 V	68	🟢	110	110– 145	
BW 5488 V	BW 5498 V	34	🟢	220	220– 290	
BW5486VH	BW5496VH	25	🟢	tba <sup>2)</sup>	380– 400	
BW5487VH	BW5497VH	17	🟢	tba <sup>2)</sup>	570– 600	
BW5488VH	BW5498VH	12.5	🟢	tba <sup>2)</sup>	760– 800	

**new**

Higher voltage upon request

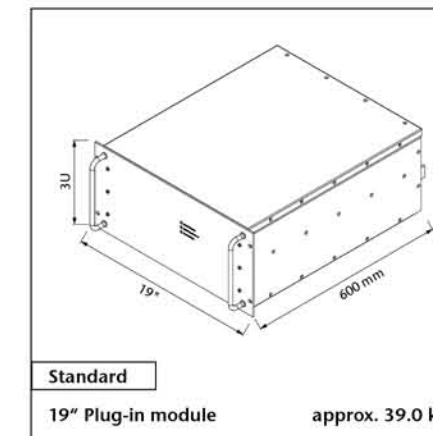
Series specific information

Input

- Hold-up time for AC input:  
5ms typical @ nom. input voltage
- <sup>1)</sup> input supply from PFC also suitable

General

- 🟢 = liquid cooled
- <sup>2)</sup> tba = to be advised



Standard  
19" Plug-in module approx. 39.0 kg

3U







DC / DC Converters

▶ 7.5 KW			▶ 15 KW				Cooling	Output VDC	
Input VDC								Adj.	Range
80–160 VDC	Output Amps	160–320 VDC	320–380 <sup>1)</sup> VDC	320–640 VDC	450–800 VDC	Output Amps			
CW 5554	288	CW 5574	CW 5584 Z	CW 5574 G	CW 5574 K	350	24	23– 26	
CW 5555	250	CW 5575	CW 5585 Z	CW 5575 G	CW 5575 K	350	28	26– 30	
CW 5559	136	CW 5579	CW 5589 Z	CW 5579 G	CW 5579 K	273	48	45– 55	
CW 5556	110	CW 5576	CW 5586 Z	CW 5576 G	CW 5576 K	220	60	58– 68	
CW 5557	58	CW 5577	CW 5587 Z	CW 5577 G	CW 5577 K	116	110	100– 130	
CW 5557 J	38	CW 5577 J	CW 5587 ZJ	CW 5577 GJ	CW 5577 KJ	75	200	190– 200	
CW 5558	30	CW 5578	CW 5588 Z	CW 5578 G	CW 5578 K	60	220	200– 250	
CW 5558 J	19	CW 5578 J	CW 5588 ZJ	CW 5578 GJ	CW 5578 KJ	38	400	380– 400	
CW5557H	12.5	CW5577H	CW5587ZH	CW5577GH	CW5577KH	25	tba <sup>2)</sup>	570– 600	
CW5558H	9.375	CW5578H	CW5588ZH	CW5578GH	CW5578KH	19	tba <sup>2)</sup>	760– 800	

**NEW**

Higher voltage upon request

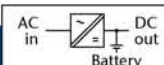


AC / DC Power Supplies

▶ 15 KW			Output Amps	Cooling	Output VDC	
Input VAC, 3-Phase					Adj.	Range
3x200 <sup>+15%</sup> <sub>-20%</sub>	3x400 <sup>+15%</sup> <sub>-20%</sub>	3x480 <sup>+10%</sup> <sub>-15%</sub>				
CW 5564 V	CW 5584 V	CW 5594 V	350	24	23– 26	
CW 5565 V	CW 5585 V	CW 5595 V	350	28	26– 30	
CW 5569 V	CW 5589 V	CW 5599 V	273	48	45– 55	
CW 5566 V	CW 5586 V	CW 5596 V	220	60	58– 68	
CW 5567 V	CW 5587 V	CW 5597 V	116	110	100– 130	
CW 5567 VJ	CW 5587 VJ	CW 5597 VJ	75	200	190– 200	
CW 5568 V	CW 5588 V	CW 5598 V	60	220	200– 250	
CW 5568 VJ	CW 5588 VJ	CW 5598 VJ	38	400	380– 400	
CW5567VH	CW5587VH	CW5597VH	25	tba <sup>2)</sup>	570– 600	
CW5568VH	CW5588VH	CW5598VH	19	tba <sup>2)</sup>	760– 800	

**NEW**

Higher voltage upon request



Battery Chargers

▶ 15 KW			Output Amps	Cooling	Output VDC	
Input VAC, 3-Phase					Nom. Battery Voltage	Range
3x200 <sup>+15%</sup> <sub>-20%</sub>	3x400 <sup>+15%</sup> <sub>-20%</sub>	3x480 <sup>+10%</sup> <sub>-15%</sub>				
BW 5562 V	BW 5582 V	BW 5592 V	328	24	24– 32	
BW 5564 V	BW 5584 V	BW 5594 V	234	48	48– 64	
BW 5566 V	BW 5586 V	BW 5596 V	188	60	60– 80	
BW 5567 V	BW 5587 V	BW 5597 V	104	110	110– 145	
BW 5568 V	BW 5588 V	BW 5598 V	52	220	220– 290	
BW5566VH	BW5586VH	BW5596VH	37.5	tba <sup>2)</sup>	380– 400	
BW5567VH	BW5587VH	BW5597VH	25	tba <sup>2)</sup>	570– 600	
BW5568VH	BW5588VH	BW5598VH	19	tba <sup>2)</sup>	760– 800	

**NEW**

Higher voltage upon request

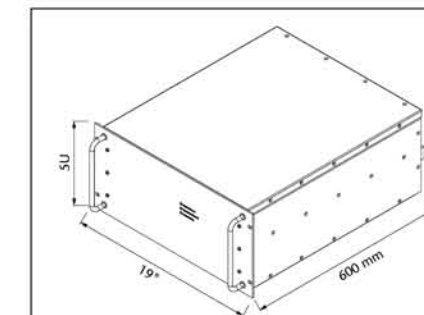
Series specific information

**Input**

- Hold-up time for AC input: 5ms typical @ nom. input voltage
- <sup>1)</sup> input supply from PFC also suitable

**General**

- Water = liquid cooled
- <sup>2)</sup> tba = to be advised



Standard

19" Plug-in module

approx. 47 kg



rear view

5U







DC / DC Converters

▶ 20 KW						
Input VDC				Cooling	Output VDC	
320–380 <sup>1)</sup> VDC	320–640 VDC	450–800 VDC	Output Amps		Adj.	Range
CW 5684 Z	CW 5674 G	CW 5674 K	350	🟢	24	23– 26
CW 5685 Z	CW 5675 G	CW 5675 K	350	🟢	28	26– 30
CW 5689 Z	CW 5679 G	CW 5679 K	350	🟢	48	45– 55
CW 5686 Z	CW 5676 G	CW 5676 K	294	🟢	60	58– 68
CW 5687 Z	CW 5677 G	CW 5677 K	153	🟢	110	100– 130
CW 5687 ZJ	CW 5677 GJ	CW 5677 KJ	100	🟢	200	190– 200
CW 5688 Z	CW 5678 G	CW 5678 K	80	🟢	220	200– 250
CW 5688 ZJ	CW 5678 GJ	CW 5678 KJ	50	🟢	400	380– 400
CW 5687ZH	CW5677GH	CW5677KH	33.5	🟢	tba <sup>2)</sup>	570– 600
CW 5688ZH	CW5678GH	CW5678KH	25	🟢	tba <sup>2)</sup>	760– 800

**new**

Higher voltage upon request

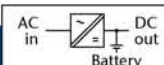


AC / DC Power Supplies

▶ 20 KW					
Input VAC, 3-Phase		Output Amps	Cooling	Output VDC	
3x400 <sup>+15%</sup> –20%	3x480 <sup>+10%</sup> –15%			Adj.	Range
CW 5684 V	CW 5694 V	350	🟢	24	23– 26
CW 5685 V	CW 5695 V	350	🟢	28	26– 30
CW 5689 V	CW 5699 V	350	🟢	48	45– 55
CW 5686 V	CW 5696 V	294	🟢	60	58– 68
CW 5687 V	CW 5697 V	153	🟢	110	100– 130
CW 5687 VJ	CW 5697 VJ	100	🟢	200	190– 200
CW 5688 V	CW 5698 V	80	🟢	220	200– 250
CW 5688 VJ	CW 5698 VJ	50	🟢	400	380– 400
CW5687 VH	CW 5697VH	33.5	🟢	tba <sup>2)</sup>	570– 600
CW5688 VH	CW 5698VH	25	🟢	tba <sup>2)</sup>	760– 800

**new**

Higher voltage upon request



Battery Chargers

▶ 20 KW					
Input VAC, 3-Phase		Output Amps	Cooling	Output VDC	
3x400 <sup>+15%</sup> –20%	3x480 <sup>+10%</sup> –15%			Nom. Battery Voltage	Range
BW 5682 V	BW 5692 V	350	🟢	24	24– 32
BW 5684 V	BW 5694 V	312	🟢	48	48– 64
BW 5686 V	BW 5696 V	250	🟢	60	60– 80
BW 5687 V	BW 5697 V	137	🟢	110	110– 145
BW 5688 V	BW 5698 V	68	🟢	220	220– 290
BW5686VH	BW5696VH	50	🟢	tba <sup>2)</sup>	380– 400
BW5687VH	BW5697VH	33.5	🟢	tba <sup>2)</sup>	570– 600
BW5688VH	BW5698VH	25	🟢	tba <sup>2)</sup>	760– 800

**new**

Higher voltage upon request

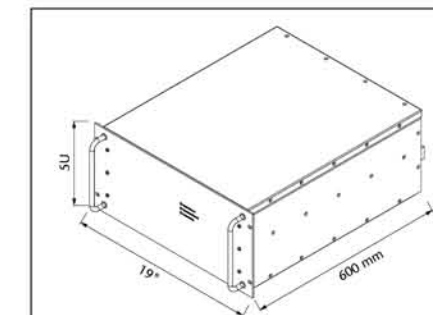
Series specific information

**Input**

- Hold-up time for AC input:  
4ms typical @ nom. input voltage  
<sup>1)</sup> input supply from PFC also suitable

**General**

- 🟢 = liquid cooled  
<sup>2)</sup> tba = to be advised



Standard  
19" Plug-in module approx. 47 kg



rear view

5U







DC / DC Converters

▶ 30 KW					
Input VDC			Cooling	Output VDC	
320-640 VDC	450-800 VDC	Output Amps		Adj.	Range
CW 6679 G	CW 6679 K	450	🟢	48	45- 55
CW 6676 G	CW 6676 K	442	🟢	60	58- 68
CW 6677 G	CW 6677 K	231	🟢	110	100- 130
CW 6677 GJ	CW 6677 KJ	150	🟢	200	190- 200
CW 6678 G	CW 6678 K	120	🟢	220	200- 250
CW 6678 GJ	CW 6678 KJ	75	🟢	400	380- 400
CW 6677 GH	CW 6677 KH	50	🟢	tba <sup>1)</sup>	570- 600
CW 6678 GH	CW 6678 KH	38	🟢	tba <sup>1)</sup>	760- 800

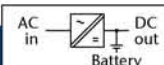
Higher voltage upon request



AC / DC Power Supplies

▶ 30 KW					
Input VAC, 3-Phase			Cooling	Output VDC	
3x400 <sup>+15%</sup> <sub>-20%</sub>	3x480 <sup>+10%</sup> <sub>-15%</sub>	Output Amps		Adj.	Range
CW 6689 V	CW 6699 V	450	🟢	48	45- 55
CW 6686 V	CW 6696 V	442	🟢	60	58- 68
CW 6687 V	CW 6697 V	231	🟢	110	100- 130
CW 6687 VJ	CW 6697 VJ	150	🟢	200	190- 200
CW 6688 V	CW 6698 V	120	🟢	220	200- 250
CW 6688 VJ	CW 6698 VJ	75	🟢	400	380- 400
CW 6687 VH	CW 6697 VH	50	🟢	tba <sup>1)</sup>	570- 600
CW 6688 VH	CW 6698 VH	38	🟢	tba <sup>1)</sup>	760- 800

Higher voltage upon request



Battery Chargers

▶ 30 KW					
Input VAC, 3-Phase			Cooling	Output VDC	
3x400 <sup>+15%</sup> <sub>-20%</sub>	3x480 <sup>+10%</sup> <sub>-15%</sub>	Output Amps		Nom. Battery Voltage	Range
BW 6684 V	BW 6694 V	386	🟢	48	48- 64
BW 6686 V	BW 6696 V	375	🟢	60	60- 80
BW 6687 V	BW 6697 V	208	🟢	110	110- 145
BW 6688 V	BW 6698 V	104	🟢	220	220- 290
BW6686VH	BW6696VH	75	🟢	tba <sup>2)</sup>	380- 400
BW6687VH	BW6697VH	50	🟢	tba <sup>2)</sup>	570- 600
BW6688VH	BW6698VH	38	🟢	tba <sup>2)</sup>	760- 800

Higher voltage upon request



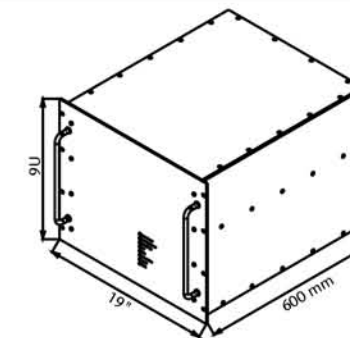
Series specific information

Input

- Hold-up time for AC input: 5ms typical @ nom. input voltage

General

- 🟢 = liquid cooled
- <sup>1)</sup> tba = to be advised

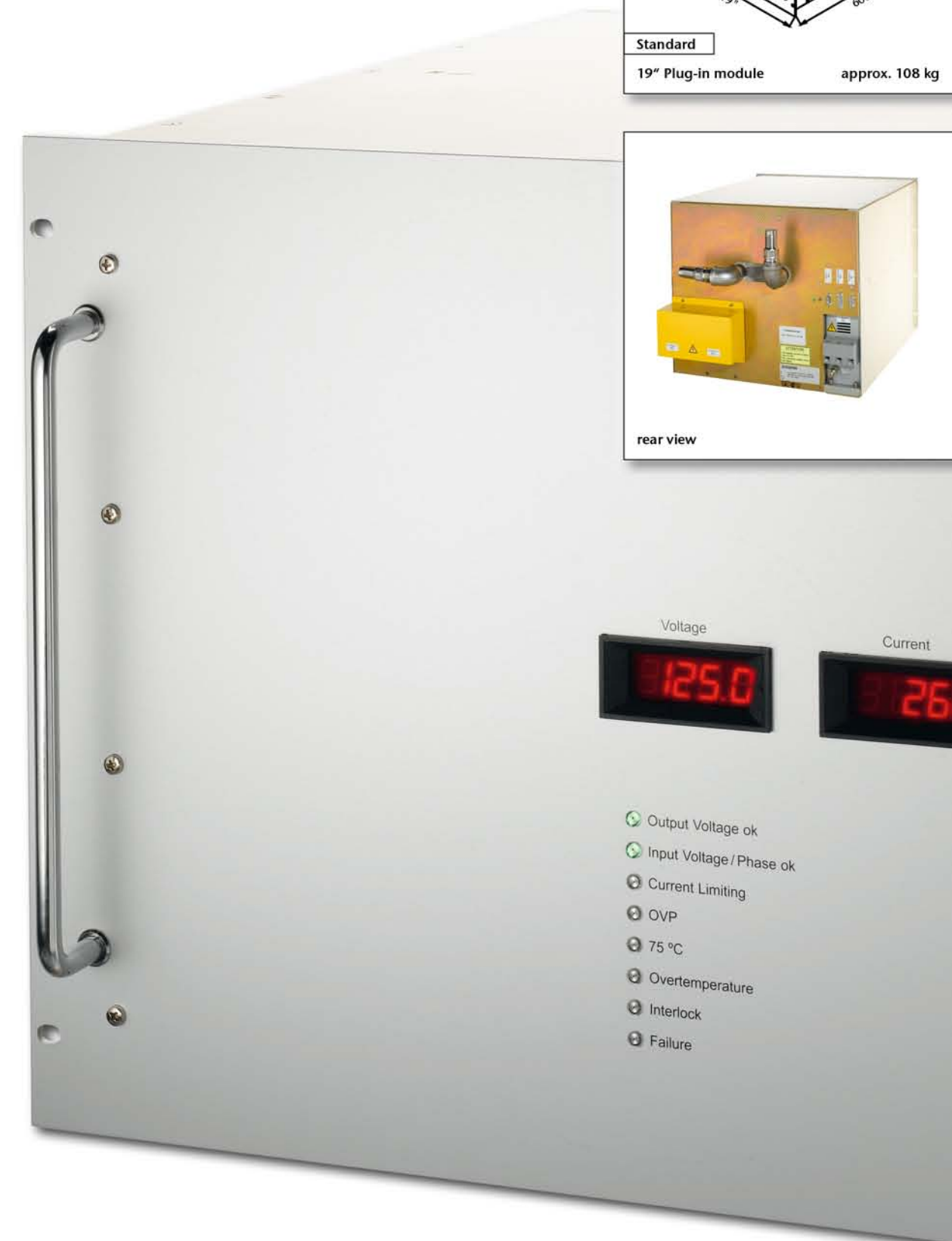


Standard  
19" Plug-in module approx. 108 kg



rear view

9U



- 🟢 Output Voltage ok
- 🟢 Input Voltage / Phase ok
- 🔔 Current Limiting
- 🔔 OVP
- 🔔 75 °C
- 🔔 Overtemperature
- 🔔 Interlock
- 🔔 Failure

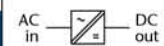




DC / DC Converters

▶ 40 KW					
Input VDC			Cooling	Output VDC	
320-640 VDC	450-800 VDC	Output Amps		Adj.	Range
CW 6774 G	CW 6774 K	800	🟢	24	23- 26
CW 6775 G	CW 6775 K	800	🟢	28	26- 30
CW 6779 G	CW 6779 K	720	🟢	48	45- 55
CW 6776 G	CW 6776 K	580	🟢	60	58- 68
CW 6777 G	CW 6777 K	305	🟢	110	100- 130
CW 6777 GJ	CW 6777 KJ	200	🟢	200	190- 200
CW 6778 G	CW 6778 K	160	🟢	220	200- 250
CW 6778 GJ	CW 6778 KJ	100	🟢	400	380- 400
CW 6777 GH	CW 6777 KH	67	🟢	tba <sup>1)</sup>	570- 600
CW 6778 GH	CW 6778 KH	50	🟢	tba <sup>1)</sup>	760- 800

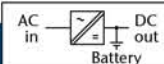
Higher voltage upon request



AC / DC Power Supplies

▶ 40 KW					
Input VAC, 3-Phase		Output Amps	Cooling	Output VDC	
3x400 <sup>+15%</sup> <sub>-20%</sub>	3x480 <sup>+10%</sup> <sub>-15%</sub>			Adj.	Range
CW 6784 V	CW 6794 V	800	🟢	24	23- 26
CW 6785 V	CW 6795 V	800	🟢	28	26- 30
CW 6789 V	CW 6799 V	720	🟢	48	45- 55
CW 6786 V	CW 6796 V	580	🟢	60	58- 68
CW 6787 V	CW 6797 V	305	🟢	110	100- 130
CW 6787 VJ	CW 6797 VJ	200	🟢	200	190- 200
CW 6788 V	CW 6798 V	160	🟢	220	200- 250
CW 6788 VJ	CW 6798 VJ	100	🟢	400	380- 400
CW 6787 VH	CW 6797 VH	67	🟢	tba <sup>1)</sup>	570- 600
CW 6788 VH	CW 6798 VH	50	🟢	tba <sup>1)</sup>	760- 800

Higher voltage upon request



Battery Chargers

▶ 40 KW					
Input VAC, 3-Phase		Output Amps	Cooling	Output VDC	
3x400 <sup>+15%</sup> <sub>-20%</sub>	3x480 <sup>+10%</sup> <sub>-15%</sub>			Nom. Battery Voltage	Range
BW 6782 V	BW 6792 V	800	🟢	24	24- 32
BW 6784 V	BW 6794 V	625	🟢	48	48- 64
BW 6786 V	BW 6796 V	500	🟢	60	60- 80
BW 6787 V	BW 6797 V	275	🟢	110	110- 145
BW 6788 V	BW 6798 V	135	🟢	220	220- 290
BW6786VH	BW6796VH	100	🟢	tba <sup>1)</sup>	380- 400
BW6787VH	BW6797VH	67	🟢	tba <sup>1)</sup>	570- 600
BW6788VH	BW6798VH	50	🟢	tba <sup>1)</sup>	760- 800

Higher voltage upon request



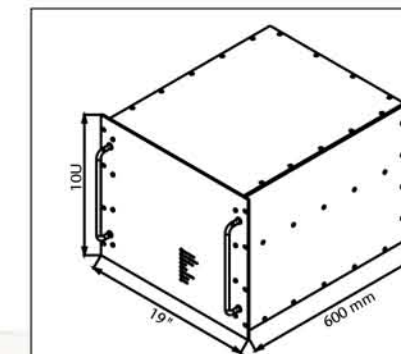
Series specific information

Input

- Hold-up time for AC input: 4ms typical @ nom. input voltage

General

- <sup>1)</sup> tba = to be advised
- 🟢 = liquid cooled



Standard  
19" Plug-in module approx. 168 kg



rear view

IOU



Voltage: 125.0  
Current: 26

- Output Voltage ok
- Input Voltage / Phase ok
- Current Limiting
- OVP
- 75 °C
- Overtemperature
- Interlock
- Failure